

LED HIGH BAY LIGHT
Power: 60W-240W, up to 850W replacement

OH SERIES



UP TO **170**LM/W
www.aokledlight.com

AOK[®]
Quality, Honesty, Service and Innovation

SPECIFICATIONS & FEATURE

- oH series is designed for Indoor and Industrial lighting , a superior high output, high efficiency LED High Bay light, featuring a unique optical design that virtually eliminates glare with minimal impact on performance. It is available in a variety of distributions for lighting applications such as gyms, industrial, multi-purpose rooms in schools, churches and retails etc.

CONSTRUCTION

- Housing: Die cast aluminum
- Light engine is thermally isolated from driver components
- UV stabilized polyester powder paint finish
- Installation: Fixture hook come as standard, pendant mount from 3/4" threaded conduit optional
- Symmetrical for easy one-for-one replacement of existing high bays
- Motion sensor and Wireless Control optional

FINISH

- Rugged, weather-tight design and 3G Vibration ratings ensure durability even in harsh environments

WIRELESS CONTROL

- Occupancy sensor option
- ZIGBEE Wireless control system option

CERTIFICATIONS/LISTINGS



UNIFIED GLARE RATING

- Glare has always been a concern with LED products and it has got increasingly more attention with higher output fixtures. The standard low glare shield block lights outside of the main beam, so from other viewing angles the fixture virtually disappears. The low glare shields were also design to have minimum impact on the total light output. UGR rate <22

LED

- LPW (lumens/watt): up to 150lm/w and 165lm/w optional
- 3000K, 4000K, 5000K, 5700K, 6500K CCT
- Minimum CRI of 70, 80, and 90 optional

OPTICAL / ELECTRICAL

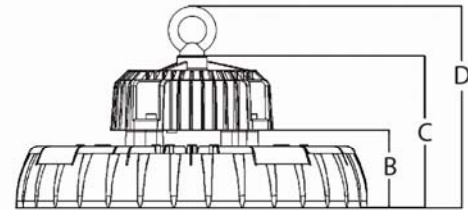
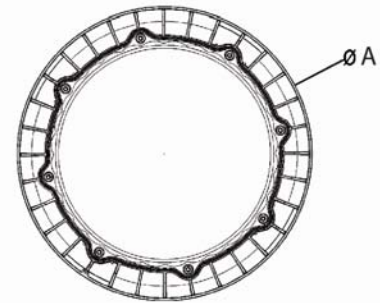
- Precision engineered individual lenses made of optical grade Mitsubishi polycarbonate for maximum light intensity.
- Three distributions to maximize performance: 60°, 90°, 120°
- -40 °C ~50 °C operating temp range
- 100-277V operation 50/60HZ standard, 200-480V 50/60HZ optional
- 1-10V dimming driver standard, DALI, ZIGBEE dimming optional

up to 170lm/w

OH SERIES



FIXTURE DIMENSIONS



| A | B | C | D |
|------------------------------------|------------|-------------|-------------|
| Dimensions of 60W and 100W models | | | |
| 24.8cm/9.8" | 7.1cm/2.8" | 13.8cm/5.4" | 18.2cm/7.2" |
| Dimensions of 150W model | | | |
| 31.9cm/12.6" | 7.1cm/2.8" | 13.8cm/5.4" | 18.3cm/7.2" |
| Dimensions of 200W and 240W models | | | |
| 40.0cm/15.8" | 7.1cm/2.8" | 14.1cm/5.5" | 20.2cm/7.5" |

ORDERING INFORMATION

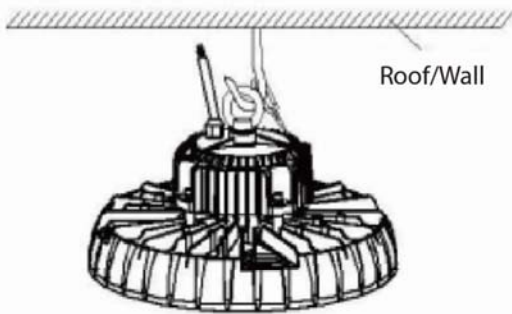
| AOK | - | - | - | - | - | - | - | - |
|--------|-------------|------------------|-------------------|------------------|--------------|-------------|--------------|---|
| WATTS | VOLTAGE | LED CHIPS | TYPE OF SENSOR | CCT&CRI | DISTRIBUTION | MOUNT | OPTIONS | |
| 60WoH | NV=100-277V | L3=LUMILEDS 3030 | 00=Without Sensor | 3070=3000K 70CRI | 60D=60deg | Eye bolt | Black Ring | |
| 100WoH | HV=347/480V | L5=LUMILEDS 5050 | SN=Motion sensor | 4070=4000K 70CRI | 90D=90deg | Yoke Mount | Orange Ring | |
| 150WoH | | O5=OSRAM 5050 | PH=Photocell | 5070=5000K 70CRI | 120D=120deg | Chain Mount | 10% Up Light | |
| 200WoH | | | DV=Dimmable | 5770=5700K 70CRI | | | Light Shield | |
| 240WoH | | | | 3080=3000K 80CRI | | | | |
| | | | | 4080=4000K 80CRI | | | | |
| | | | | 5080=5000K 80CRI | | | | |
| | | | | 5780=5700K 80CRI | | | | |

CONSTRUCTION FEATURES

1. Stainless Eye bolt
2. Waterproof connector easy to replace driver
3. Top level performance light source system efficacy up to 165lm/w
4. Gasket ring
5. Top level performance 1-10V dimmable driver
6. Die casting unibody aluminum fixture housing in supreme heat dissipation ability
7. Optical grade polycarbonate lens 60°/90°/120°optional



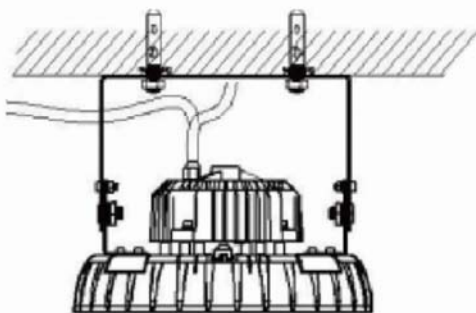
MULTIPLE APPLICATIONS



Roof/Wall



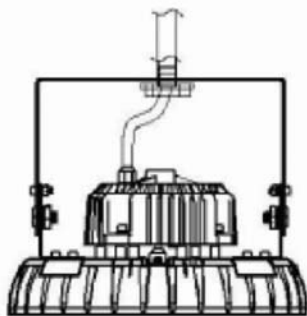
Chain Mount



Yoke Mount Application



Tempered glass len



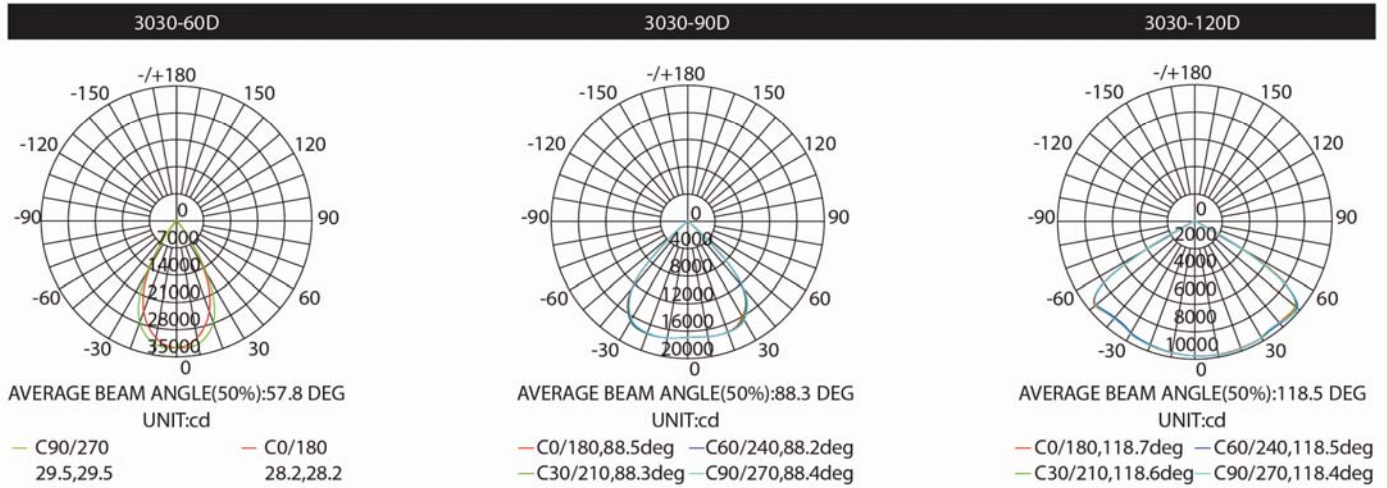
Rod Mount Application



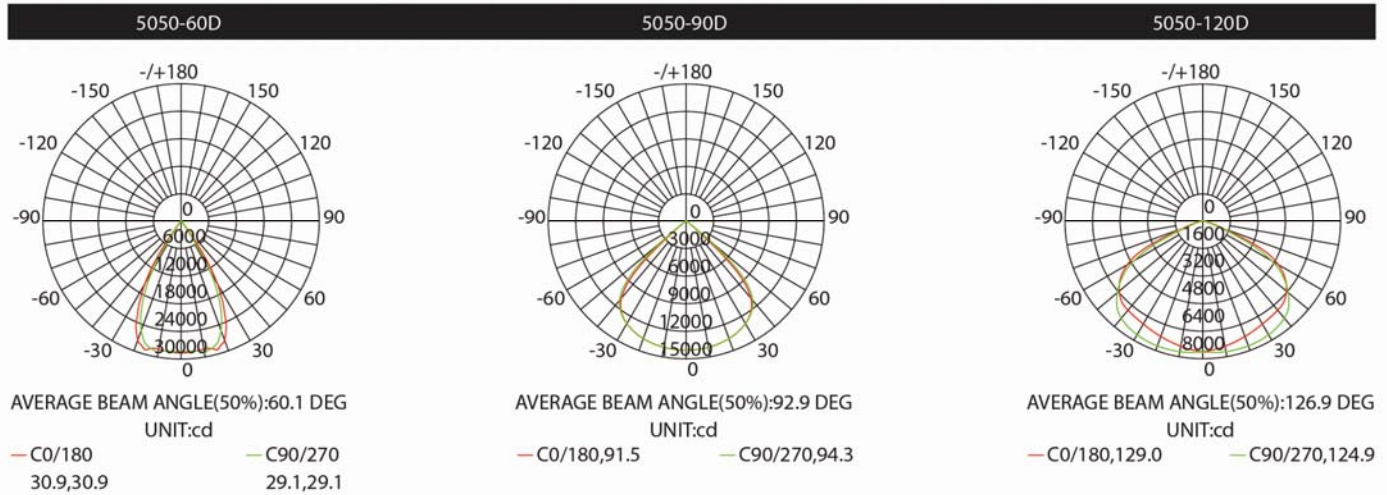
Frosted len used as low bay



PHOTOMETRY



All published Luminaire photometric testing performed to IESNA LM-79-08 standards by a NVLAP accredited Laboratory.



All published Luminaire photometric testing performed to IESNA LM-79-08 standards by a NVLAP accredited Laboratory.

TECHNICAL SPECIFICATIONS @5000K

| MODEL | WATTS | Replace MHL | LUMEN OUTPUT / OPTICS | IP & IK | NW | PACKING DIMENSION |
|------------|-------|----------------------------|---|-----------|---------------------|------------------------------|
| AOK-60WoH | 60 | 150W-150LPW 200W-170LPW | 9000lm / 60° 9240lm / 90° 9060lm / 120° 10440lm / 60° 10682lm / 90° 10059lm / 120° | IP40&IK08 | 6.4lbs (2.9kgs) | 31*31*21cm 12.2*12.2*8.2" |
| AOK-100WoH | 100 | 300W-150LPW 350W-170LPW | 15000lm / 60° 15100lm / 90° 15200lm / 120° 16724lm / 60° 16672lm / 90° 15788lm / 120° | IP65&IK08 | 6.4lbs (2.9kgs) | 31*31*21cm 12.2*12.2*8.2" |
| AOK-150WoH | 150 | 400W-150LPW 500W-170LPW | 22500lm / 60° 22950lm / 90° 22650lm / 120° 25851lm / 60° 25738lm / 90° 24881lm / 120° | IP65&IK08 | 10lbs (4.6kgs) | 38*38*22cm 15*15*8.7" |
| AOK-200WoH | 200 | 600W-150LPW 750W-170LPW | 28200lm / 60° 30600lm / 90° 30000lm / 120° 33982lm / 60° 34529lm / 90° 33159lm / 120° | IP65&IK08 | 13.7lbs (6.2kgs) | 47*47*23cm 18.5*18.5*9" |
| AOK-240WoH | 240 | 750W-150LPW 850W-170LPW | 36000lm / 60° 36720lm / 90° 336240lm / 120° 39802lm / 60° 40303lm / 90° 39127lm / 120° | IP65&IK08 | 13.7lbs (6.2kgs) | 47*47*23cm 18.5*18.5*9" |